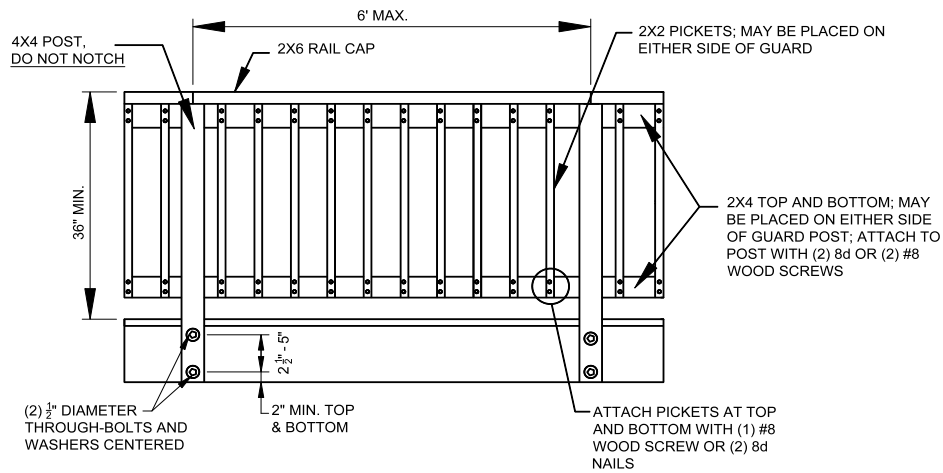


THIS IS A PORTION OF PROPOSAL RB268-13 THAT SEEKS TO INCLUDE THE FOLLOWING THE 2015 IRC:

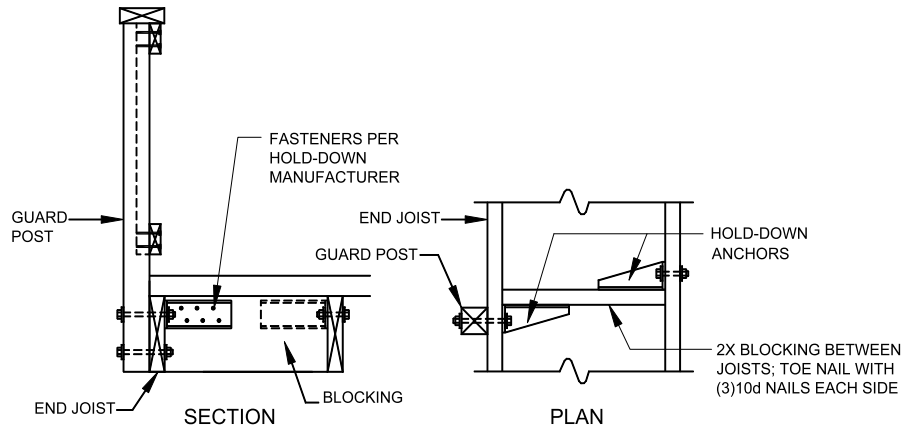
R507.12 Deck guards. Deck guards shall be designed and constructed in accordance with Sections R301.5 and R312. Other materials and construction techniques shall be permitted in accordance with Section R301.

R507.12.1 Guard construction. Where the guard requirements of Sections R301.5 and R312 are met using the details shown in Figures R507.12.1(1) through R507.12.1(3), guard posts shall be attached to the inside or outside face of the rim joist or end joist. Hold-down anchors shall have a minimum capacity of 1,800 pounds (8006 N).



For SI: 1 inch = 25.4 mm, 1 foot = 304.8 mm

**FIGURE R507.12.1(1)
DECK GUARD**



**FIGURE R507.12.1(2)
GUARD POST TO END JOIST**

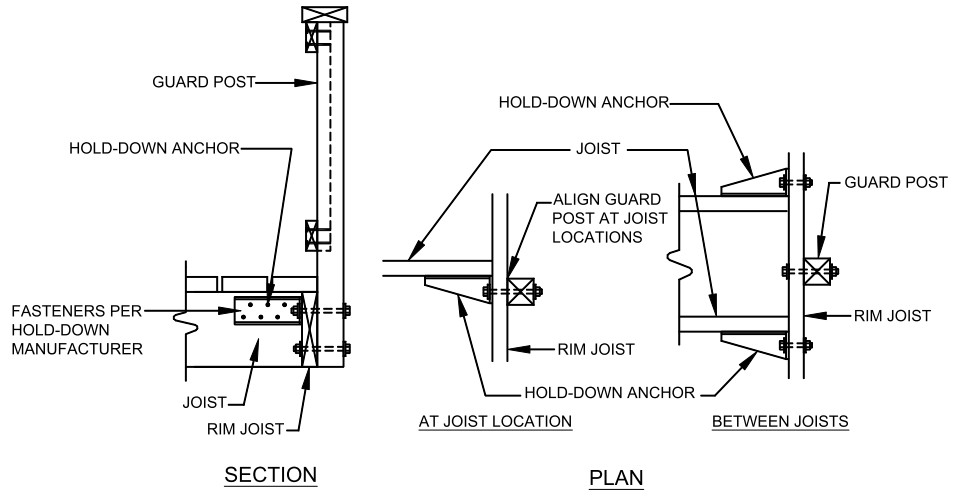


FIGURE R507.12.1(3)
GUARD POST TO RIM JOIST